



G4 EDEN Matrix V Air Cooled Condenser



FEATURES

- ❖ V-Shaped - Space saving design
- ❖ High quality powder coat finish to complement the aesthetic look
- ❖ Advanced smart circuitry and double sine wave coil technology designed to save input energy and maximize the coil performance
- ❖ Low oil retention for better heat transfer coefficients
- ❖ Discharge and Liquid headers are built into the case design for added protection and safety
- ❖ All fans are compartmented for better efficient during fan cycling option
- ❖ Standard 2 speed German fans motors are used. EC fans option available, to maintain ideal discharge pressure and reducing condenser fan power during low load condition
- ❖ Low Noise and Environmental Friendly

EVC-CONDENSER SPECIFICATIONS 12FPI

Model	Capacity R22		Fan Data								
	kW 15 KTD	Btu/hr 27FTD	No. of Fan	Fan Motor			Air Flow (m ³ /h)	Noise Level		Connections(mm)	
				(rpm)	(Watts)	(Amps)		3m	10m	Inlet	Outlet
EVC 0620.52	62.0	211,540	2	1,310	1,580	3.70	14,880	66	56	34.9	22.2
EVC 0750.52	75.0	255,896	2	1,310	1,580	3.70	14,100	66	56	34.9	22.2
EVC 0880.53	88.0	300,251	3	1,310	2,370	5.55	22,320	68	58	34.9	22.2
EVC 1100.53	110.0	255,896	3	1,310	2,370	5.55	21,150	68	58	34.9	22.2

Eden cannot guarantee performance of the condensers (capacities ratings, sound level etc), if non standard motors are used. Fan Motors are 400V/3Ph/50Hz

* Sound pressure levels are measured in conformity to DIN 45635 and ISO 3744/3745.

* Sound pressure levels are shown in catalogue at a distance of 3m and 10m, under Inverse Square Laws. Sound pressure Sound levels for 1m are at source.

Nomenclature

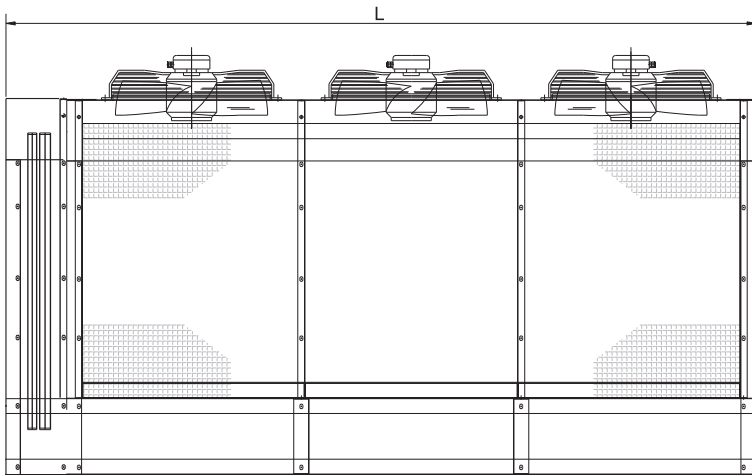
EVC 0880.53.EC

EC	- EC Fans Option
3	- Size of Fan Motor in (mm) (2 - 300mm, 3 - 350mm, 4 - 400mm, 5 - 500mm, 6 - 630mm())
5	- No.of Fans
0880	- Capacities in kW at R22 15KTD (88kW)
EVC	- G4 EDEN Marix V Air Cooled Condenser

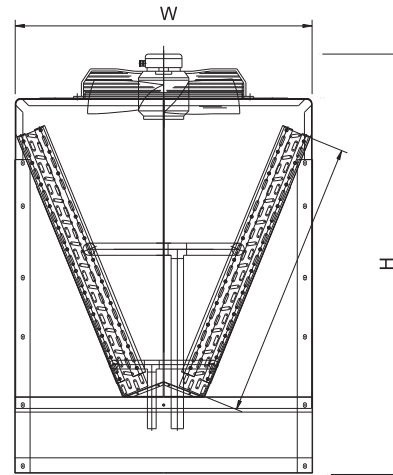
EVC-DIMENSION

Model	Size (mm)						Weight (kg)*
	H	W	L	H*	W*	L*	
EVC 0620.52	1375	974	1706	1575	1170	1900	220
EVC 0750.52	1375	974	1706	1575	1170	1900	250
EVC 0880.53	1375	974	2406	1575	1170	2600	375
EVC 1100.53	1375	974	2406	1575	1170	2600	425

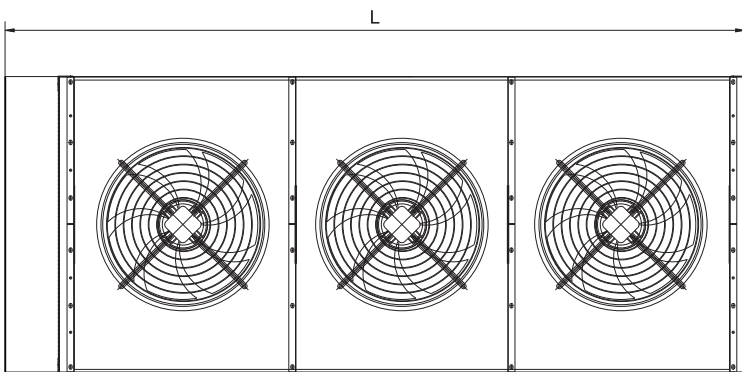
* Packed Dimensions / Weight



FRONT VIEW



SIDE VIEW



PLAN VIEW

